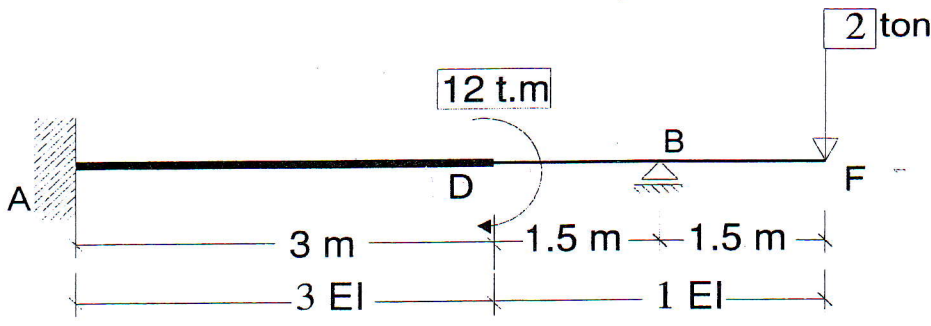


Menoufia University Faculty of Engineering, Shebin El-Kom Arch. Eng. Department First Semester Examination, 2013-2014 Date of Exam: 5/1/2014		Subject: Theory of Structure Code: CVE227 Year : Second Year-Arch Time Allowed : 3 hours Total Marks : 90 marks
--	---	---

Answer the following questions **Marks**
Clean Sketches and Proper Calculations are strictly required **[90 Marks]**

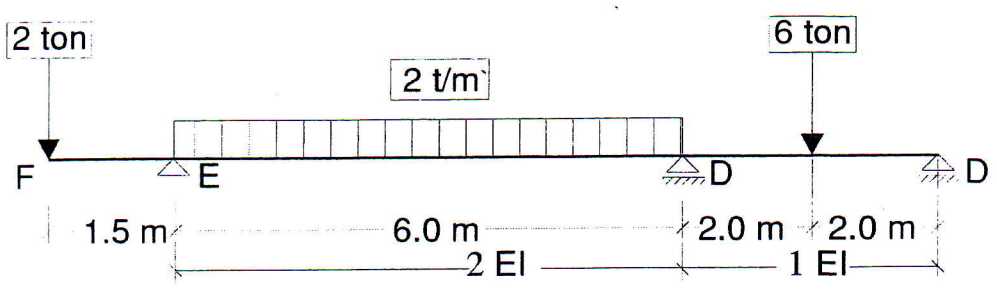
Question 1

- 1- For the shown Beam : [15]
- a) Draw the shear Force Diagram [7]
- b) Draw the Bending Moment Diagram. [8]



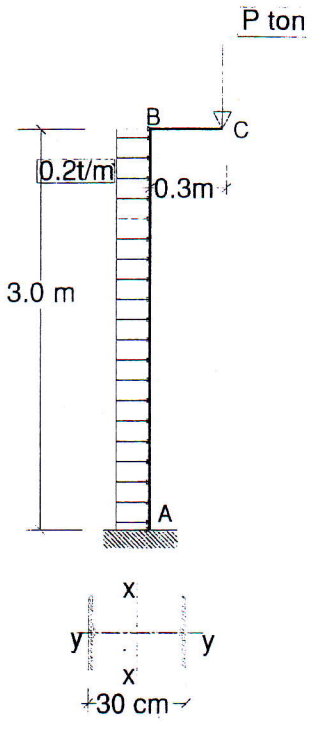
Question 2

- 2- For the shown Beam : [15]
- a) Draw the shear Force Diagram [7]
- b) Draw the Bending Moment Diagram. [8]



Question 3 [15 marks]

- 3- For the shown Structure :
- a) Calculate The max. force [P] if use steel [37] section with properties $A= 100 \text{ cm}^2$, $I_x=15000 \text{ cm}^4$ & $I_y=1200 \text{ cm}^4$.



Best wish's
Dr. Mohamed EL-Sabaawy